

## Kenter Shackle M2/M3

### Introduction of Kenter Shackle M2/M3

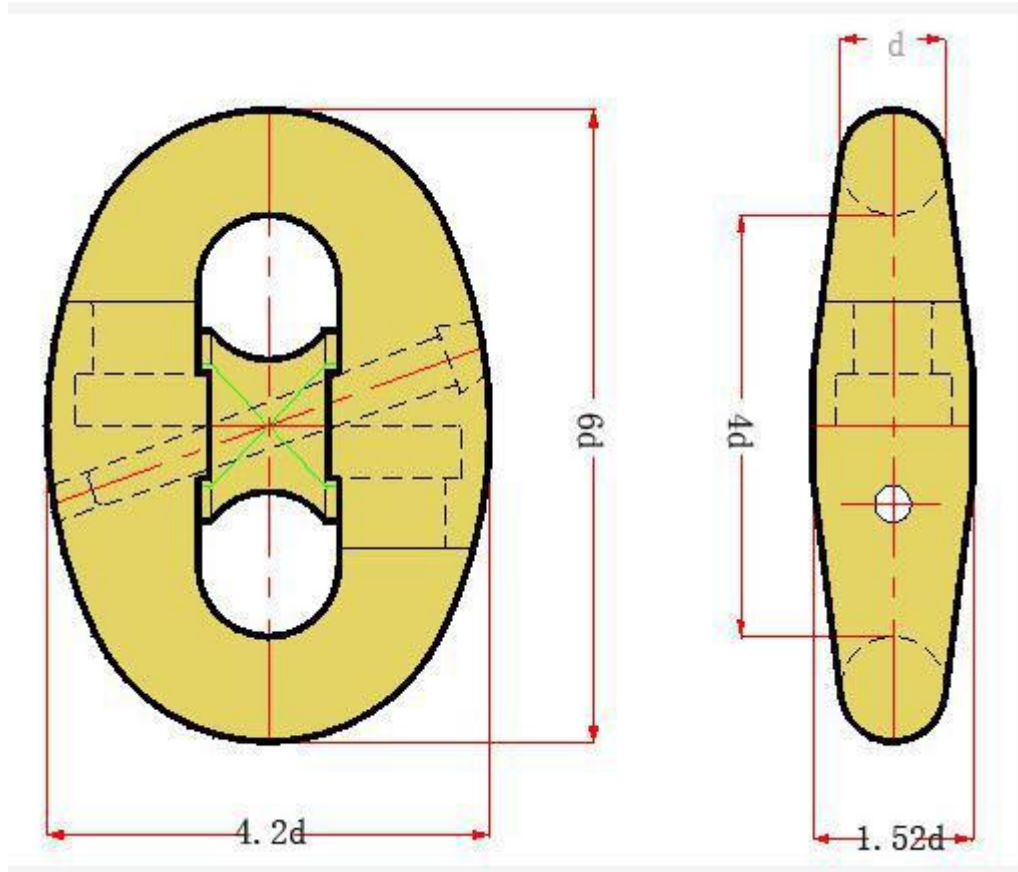
Kenter shackles are generally available from dia 12.5mm up to 127mm. For further details about the Kenter shackle parts, please check the datasheet below. If you want to know more information about the Kenter joining shackle for prices and availability, please just contact us. To be connected with the Kenter link chain.

Qingdao Wancheng Anchor Chain Co. Ltd., a famous [anchor chain manufacturer](#) in China, is specialized in producing types of anchors, stainless steel link chains, etc.



## Drawing of Kenter Shackle M2/M3

Kenter link shackle can be learned from the following figure:



 Specification of Kenter Link

<b>Kenter SHACKLE Nominal specification, breaking load, tension load and unit weight</b>							
<b>Nominal specifications mm</b>	<b>GRADE</b>						<b>Weight (kg)</b>
	<b>AM1 (KN)</b>		<b>AM2 (KN)</b>		<b>AM3 (KN)</b>		
	<b>BL</b>	<b>PL</b>	<b>BL</b>	<b>PL</b>	<b>BL</b>	<b>PL</b>	
11	52	36	72	52	102	72	0.47
12.5	66	46	92	66	132	92	0.54
14	82	58	116	82	165	116	0.6
16	107	76	150	107	216	150	0.65
17.5	127	89	179	127	256	179	0.88
19	150	105	211	150	301	211	1.13
20.5	175	123	244	175	349	244	1.36
22	200	140	280	200	401	280	1.64
24	237	167	332	237	476	332	2.13
26	278	194	389	278	556	389	2.58
28	321	225	449	321	642	449	3.30
30	368	257	514	368	735	514	4.15
32	417	291	583	417	833	583	5.06
34	468	328	655	468	937	655	6.01
36	523	366	732	523	1050	732	6.89
38	581	406	812	581	1160	812	8.40
40	640	448	895	640	1280	895	9.63
42	703	492	981	703	1400	981	11.00
44	769	538	1080	769	1540	1080	12.45
46	837	585	1170	837	1680	1170	14.10
48	908	635	1270	908	1810	1270	16.70

50	981	686	1370	981	1960	1370	19.00
52	1060	739	1480	1060	2110	1480	20.30
54	1140	794	1590	1140	2270	1590	23.70
56	1220	851	1710	1220	2430	1710	26.70
58	1290	909	1810	1290	2600	1810	27.20
60	1380	969	1940	1380	2770	1940	27.70
62	1470	1030	2060	1470	2940	2060	35.00
64	1560	1100	2190	1560	3130	2190	38.40
66	1660	1160	2310	1660	3300	2310	42.30
68	1750	1230	1450	1750	3500	2450	46.00
70	1840	1290	2580	1840	3690	2580	48.70
73	1990	1390	2790	1990	3990	2790	53.00
76	2150	1500	3010	2150	4300	3010	60.70
78	2260	1580	3160	2260	4500	3160	65.50
81	2410	1690	3380	2410	4820	3380	75.00
84	2580	1800	3610	2580	5160	3610	90.00
87	2750	1920	3850	2750	5500	3850	96.00
90	2920	2050	4090	2920	5840	4090	108.00
92	3040	2130	4260	3040	6080	4260	114.00
95	3230	2260	4510	3230	6440	4510	128.00
97	3340	2340	4680	3340	6690	4680	133.00
100	3530	2470	4940	3530	7060	4940	146.00
102	3660	2560	5120	3660	7320	5120	158.00
105	3850	2700	5390	3850	7700	5390	160.00
107	3980	2790	5570	3980	7960	5570	180.00
111	4250	2970	5940	4250	8480	5940	198.00
114	4440	3110	6230	4440	8890	6230	204.00

## Wancheng Anchor Chain Co, Ltd.



117	4650	3260	6510	4650	9300	6510	225.00
120	4850	3400	6810	4850	9720	6810	250.00
122	5000	3500	7000	5000	9990	7000	263.00
124	5140	3600	7200	5140	10280	7200	290.00
127	5350	3750	7490	5350	10710	7490	312.00
130	5570	3900	7800	5570	11140	7800	333.00
132	5720	4000	8000	5720	11420	8000	350.00
137	6080	4260	8510	6080	12160	8510	392.00
142	6450	4520	9030	6450	12910	9030	436.00
147	6840	4790	9560	6840	13660	9560	485.00
152	7220	5050	10100	7220	14430	10100	537.00
157	7600	5320	10640	7600	15200	10640	591.00
162	7990	5590	11180	7990	15980	11180	651.00